

Screw-in resistance thermometer

Description



Areas of application

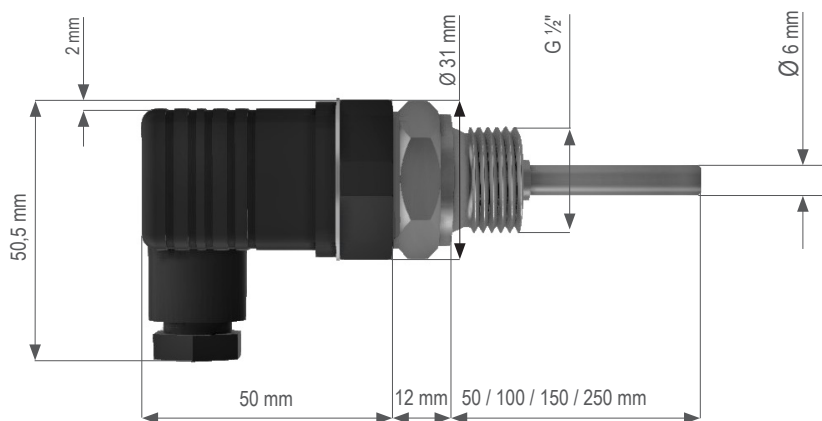
- Block heating stations
- Plant engineering

Technical data

Screw-in resistance thermometer	
Transducer	Pt100
measuring range	-50...+400 °C
Accuracy	IEC 751 Class B
Diameter	Ø 6 mm
Material fitting	Stainless steel 1.4571
Material connectors	Plastic
Electrical connection	DIN valve connector, typ A
Ingress	IP65
Thread	G½"

Article	Article number
Screw-in resistance thermometer PT100, 2-wire, nominal length 50 mm	0627 0184-92
Screw-in resistance thermometer PT100, 2-wire, nominal length 100 mm	0627 0184-93
Screw-in resistance thermometer PT100, 2-wire, nominal length 100 mm	0627 0184-94
Screw-in resistance thermometer PT100, 2-wire, nominal length 100 mm	0627 0184-95

Dimensions



Screw-in resistance thermometer



Pinout

